



JUAL

# Roof console with under lay and top layer



EN1253



TÜVRheinland®



The product test and certification is based upon requirements from DS/EN1253

## DESCRIPTION

### ROOF CONSOLE WITH UNDER LAY AND TOP LAYER

For effective and safe fixation of constructional elements or other types of installations for 2 layer bituminous roofing systems on warm or cold flat roof constructions such as solar cells, antennas or the like. The Roof Console can be applied on buildings with both inclined or a flat roofs as long as the specific type of roof construction is regarded.

### SYSTEM DESIGN

When an installation with Roof Consoles is planned the different forces that will impact on the specific console must be regarded and defined in order to reach an effective and reasonable installation. On the technical datasheet, under the heading SYSTEM DESIGN, the various load types have been illustrated.

### MATERIALE:

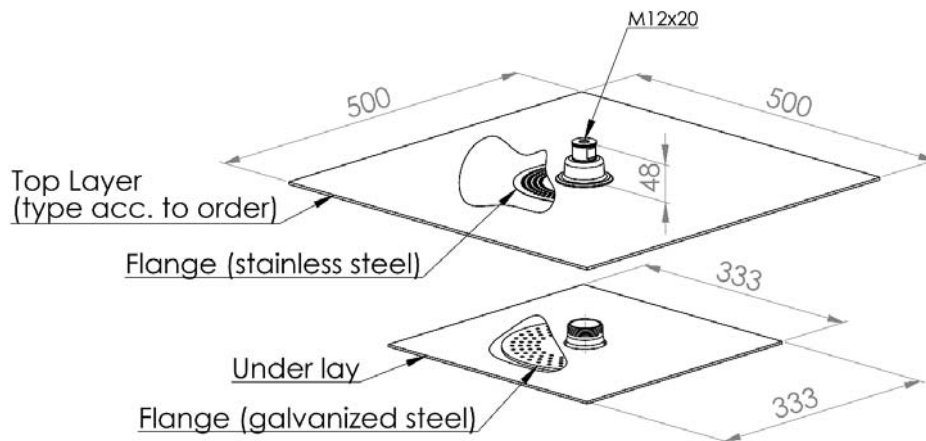
#### Top part:

- Flange: Stainless steel
- Console Top: Stainless steel
- Membrane: Type of the integrated membrane can be specified for each specific project.

#### Bottom part:

- Flange: galvanized steel
- Membrane: SBS under lay

Article number	Membrane overview
230060-1xx	<b>230060-1XX</b> Article number - <u>Membrane type</u>

**TECHNICAL DATA:****INSTALLATION:****GENERAL INSTALLATION GUIDE LINES**

In order to ensure industry compliance and compliance to specific requirements set by the roofer and the building owner it is important, through out the planning phase, that it is identified which type and possibly which brand of bitumen roofing membrane the flashing shall be configured with.

It is furthermore an important part of the planning process that the specific roof deck type is identified in order to be able to choose the right kind of Console Anchor. For more information about console anchors please refer to the Console Anchor data sheet.

As a general recommendation JUAL recommend that Roof Consoles are applied by roofers who have been specifically trained for appliance of roof consoles.

**APPLICATION**

The 2 layer Roof Console has been made with the purpose of providing a console solution which is in compliance with bituminous two layer roofing systems. The 2 layer Roof Console therefore complies with roof industry guide lines and specifically with the conventions for fixation on to bitumen surfaces.

**INSTALLATION**

The installation procedure is first to fix the bottom part with the under layer and secondly to fix the top part. For installations, typical larger plants, it can however prove reasonable to complete the installation of the bottom part for the whole installation as the first step and for these cases it is necessary to seal the bottom part until the final step of the installation is completed. For this purpose an accessory product (Rubber seal for Console Adapter #221500) can be purchased.

For further information about installation please refer to the specific installation guide lines or videos for the current roof deck type.

